



# INSTRUCTION BULLETIN

No. 9008243  
Machine: S30  
Published: 07-2011  
Rev. 00

**NOTE: DO NOT DISCARD the Parts List from the Instruction Bulletin. Place the Parts List in the appropriate place in the machine manual for future reference. Retaining the Parts List will make it easier to reorder individual parts and will save the cost of ordering an entire kit.**

*NOTE: Numbers in parenthesis ( ) are reference numbers for parts listed in Bill of Materials.*

Installation instructions for **kit number 9008229**

## SYNOPSIS:

This kit contains the parts needed to replace the exhaust tube on S30 sweepers (machines equipped with rotomold covers - above serial number 002099).  
Please follow step-by-step instructions.

## SPECIAL TOOLS / CONSIDERATIONS: NONE

(Estimated time to complete: 45 minutes)



### PROTECT THE ENVIRONMENT

Please dispose of packaging materials, old machine components, and hazardous fluids in an environmentally safe manner according to local waste disposal regulations.

Always remember to recycle.

## PREPARATION:

1. Park the machine on a clean level surface, turn off the machine, set the parking brake, and remove the key.

**FOR SAFETY: Before leaving or servicing machine, stop on level surface, turn off machine, engage parking brake, and remove key.**

2. Allow the engine and exhaust system adequate time to cool. **Do Not** install this kit until after the engine and exhaust system have cooled.

3. Remove the heat shield from the machine. Set all mounting hardware and muffler clamp components aside. Discard the heat shield. Refer to Fig. 1.
4. Remove the exhaust bracket from the machine. Set the exhaust bracket and mounting hardware aside. Refer to Fig. 1.
5. Disconnect the exhaust tube from the muffler. Set all mounting hardware aside. Discard the gasket. Refer to Fig. 1.
6. Disconnect the exhaust tube from the engine. Discard the flange gasket and all mounting hardware used to secure the exhaust tube to the engine. Refer to Fig. 1.

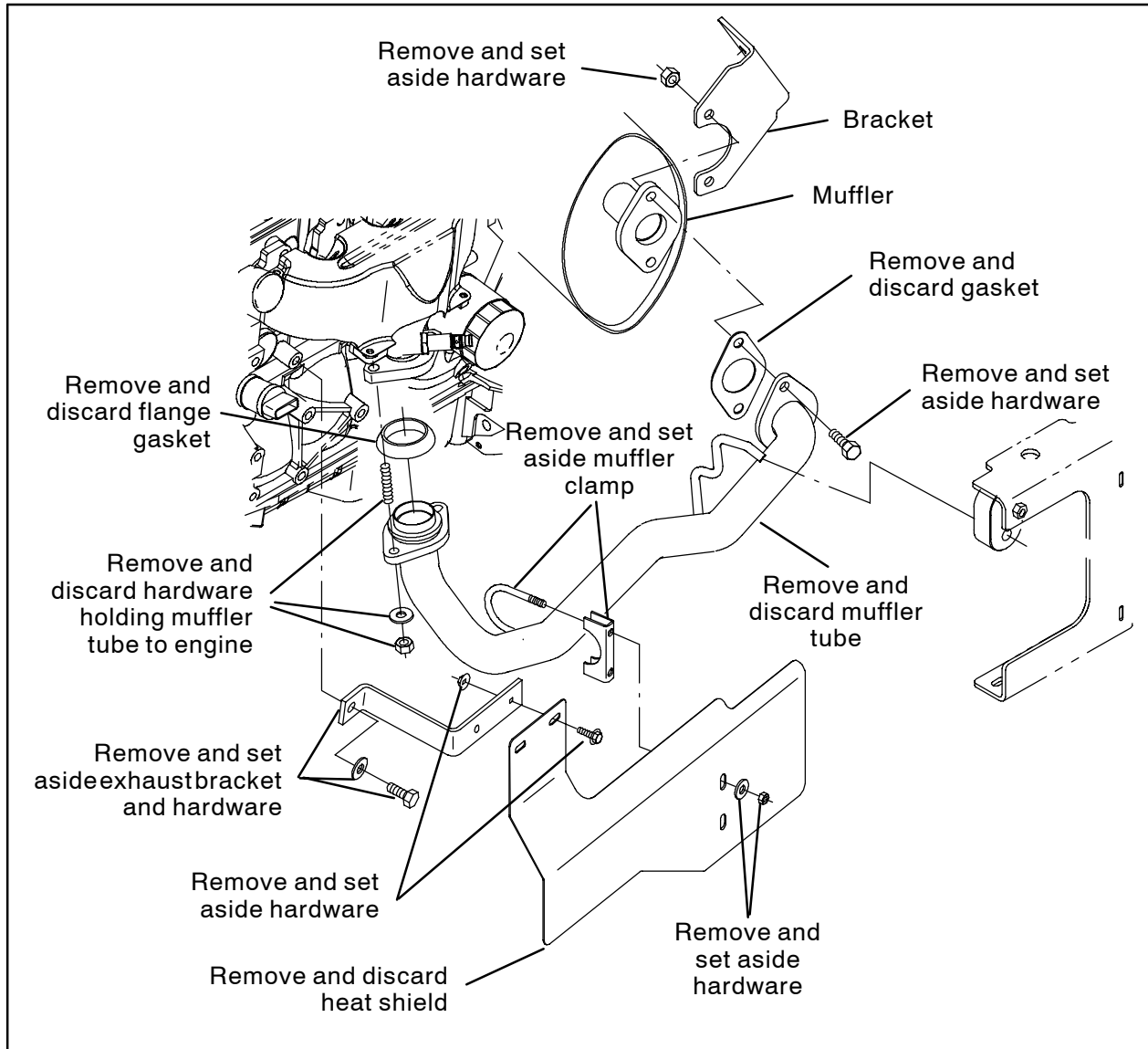


FIG. 1

## INSTALLATION:

1. Use two SEMS M10 hex screws (3) to install the new exhaust tube (1) and one gasket (2) onto the engine. Do not completely tighten the hex screws. The hex screws are tightened during later adjustment. Refer to Fig. 2.
2. Insert the hanger on the new muffler tube (1) into the rubber isolator. Refer to Fig. 2.
3. Use set aside hardware to install the other end of the exhaust tube (1) and the remaining gasket (2) onto the muffler. Refer to Fig. 2.
4. Tighten the hardware left loose in the previous several steps to secure the exhaust tube (1) and gaskets (2) to the engine and the muffler. Refer to Fig. 2.
5. Reinstall the exhaust bracket onto the engine. Refer to Fig. 2.
6. Use the muffler clamp and hardware to install the new heat shield (4) onto the exhaust tube (1). Do not completely tighten the hardware / muffler clamp. These items are tightened during later adjustment. Refer to Fig. 2.
7. Use set aside hardware to install the heat shield (4) onto the exhaust bracket. Refer to Fig. 2.
8. Tighten the hardware / muffler clamp to secure the heat shield (4) to the exhaust tube (1). Refer to Fig. 2.

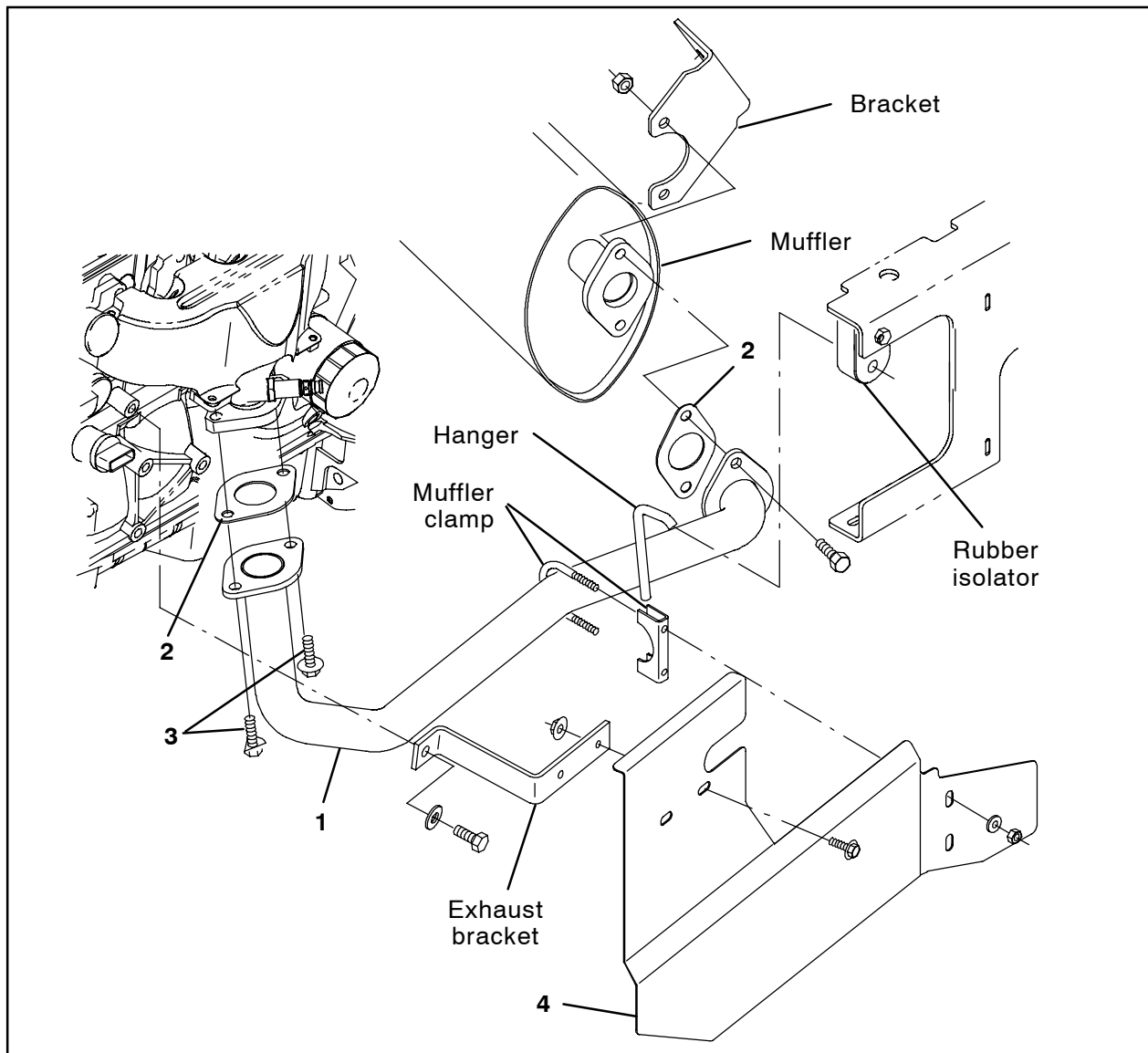


FIG. 2

---

**Bill Of Materials For Tube Kit, Exhaust, Repair, Gas/LPG [S30] - 9008229**

	<b>Ref.</b>	<b>Tennant Part No.</b>	<b>Description</b>	<b>Qty.</b>
▽		9008229	Tube Kit, Exhaust, Repair, Gas/LPG [S30]	1
▲	1	1059474	Tube Wldt, Exhaust, Muffler, Gas/LPG	1
▲	2	1011216	Gasket, Exhaust, .07, 1.63ID, 2/3.4BC	2
▲	3	1037358	Screw, Hex, M10 X 1.50 X 35, 9.8, SEMS	2
▲▽	4	1060301	Shield, Heat, Exhaust [G/LP Roto-Covers]	1
▲▲	5	1017141	Label Set, Hi-Temp *	1
▲▲	6	1016998	Label, Hzrd, Surf, Hi-Temp, NA *	1

*NOTE: Labels (5) and (6) are already installed onto the exhaust heat shield (4).*

TENNANT COMPANY  
P. O. Box 1452  
Minneapolis, MN 55440-1452